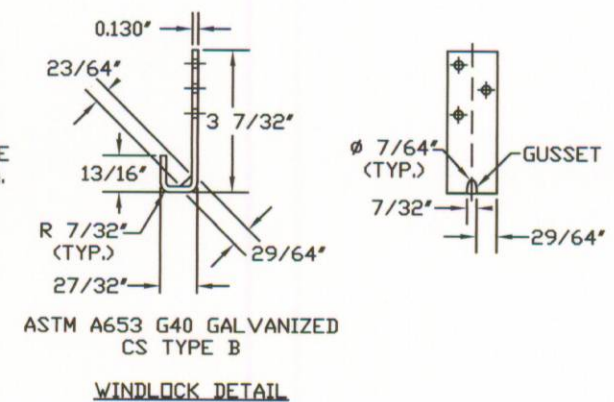
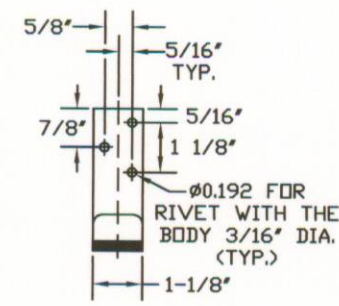
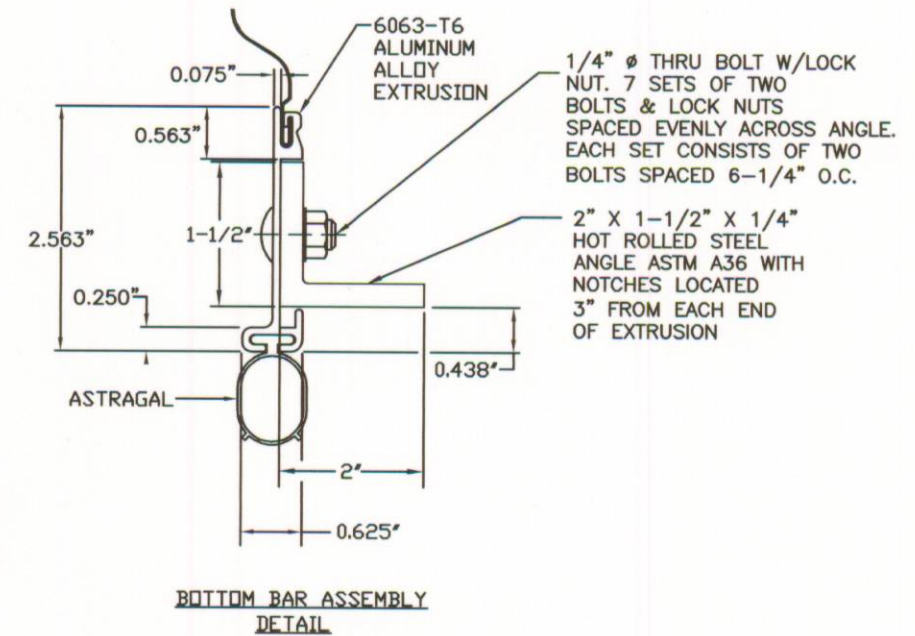
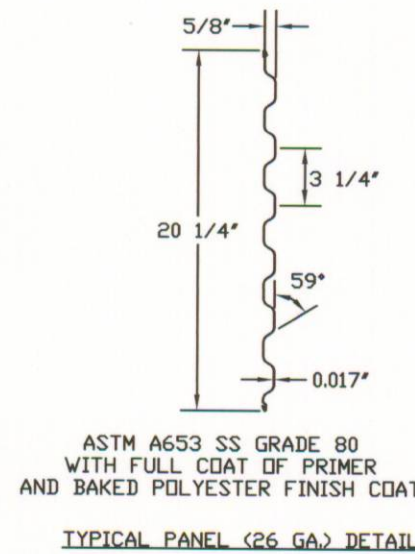
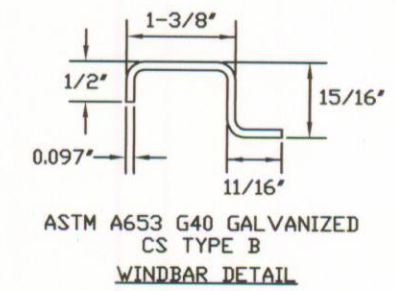
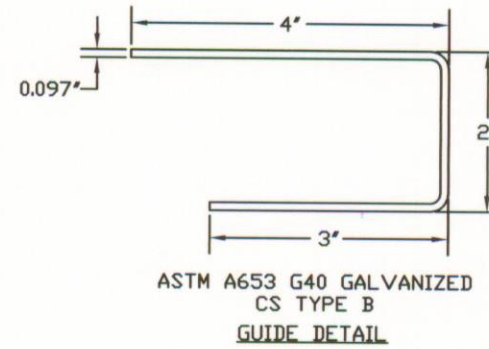
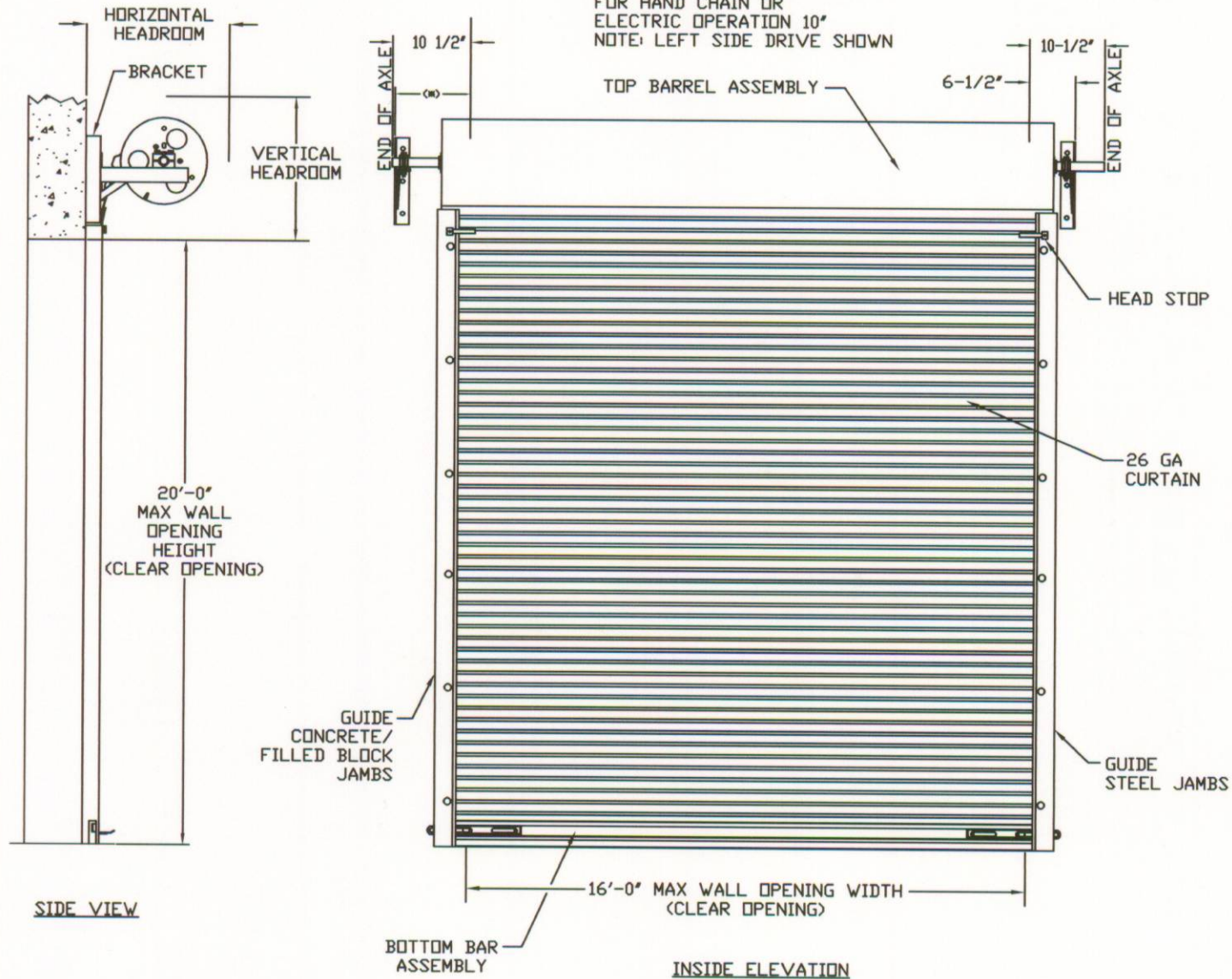


OPENING HEIGHT	THRU 8'-0"	OVER 8'-0" THRU 10'-0"	OVER 10'-0" THRU 14'-0"	OVER 14'-0" THRU 16'-0"	OVER 16'-0" THRU 18'-0"	OVER 18'-0" THRU 20'-0"
VERTICAL HEADROOM	18"	20"	21"	22"	23"	24"
HORIZONTAL HEADROOM	19"	21"	22"	23"	24"	25"

REV	DESCRIPTION	DATE	APPROVAL
-	RELEASE PER DRN		
1	CERTIFICATION UPDATE	3/25/06	H.B.
2	CERTIFICATION REVISION	3/30/06	H.B.
3	CERTIFICATION REVISION	4/3/06	H.B.

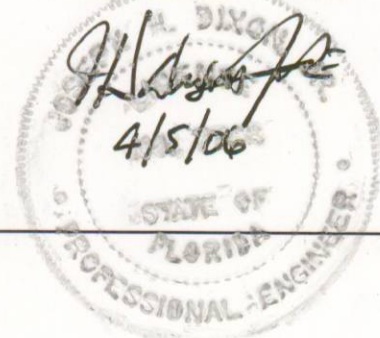
(* FOR PUSH-UP OPERATION 6-1/2"
FOR HAND CHAIN OR
ELECTRIC OPERATION 10"
NOTE: LEFT SIDE DRIVE SHOWN



CERTIFIED TESTING LABORATORIES

7252 Narcoossee Road, Orlando, Florida 32822
 Phone: (407) 384-7744 Fax: (407) 384-7751

JOSEPH H. DIXON, JR.
 PROFESSIONAL ENGINEER
 FLORIDA LICENSE NO. 7768



THESE CONFIDENTIAL DOCUMENTS SUBMITTED BY DBCI CONTAIN INFORMATION OF A PROPRIETARY NATURE AND MAY NOT BE REPRODUCED OR USED TO MANUFACTURE ANYTHING IN PART OR IN WHOLE FOR ANY PURPOSE OTHER THAN THAT WHICH IS NECESSARY FOR PREPARATION OF BIDS OR ENGINEERING WITHOUT THE EXPRESS PERMISSION OF DBCI WHICH MAY RECALL DOCUMENTS AT ANY TIME.

UNLESS OTHERWISE SPECIFIED DIMENSIONS ARE IN INCHES
 TOLERANCES ARE:

DECIMAL	FRACTIONS	ANGLES	HOLE DIAMETERS
.XX ±.03	± 1/16	± 0°30'	UNDER .251 +.004 -.003
.XXX ±.005			.251 to .500 +.006 -.003
			OVER .500 +.008 -.003

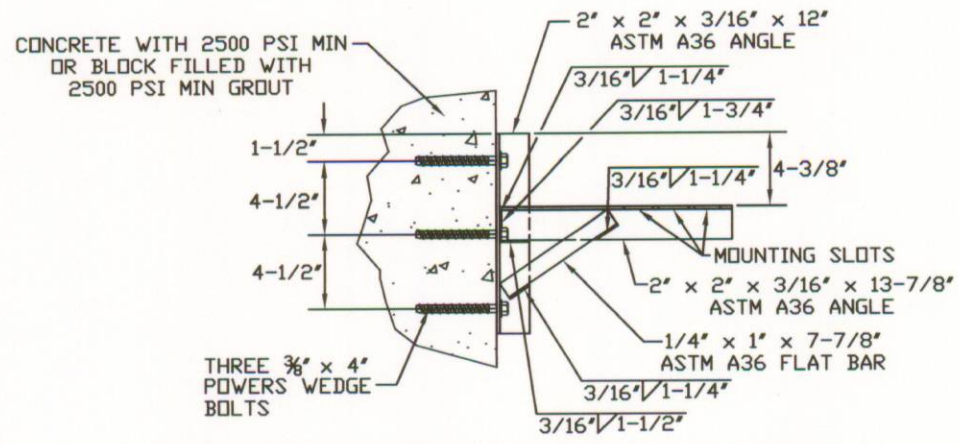
PART NUMBER:	N/A
MATERIAL:	N/A
APPLIED FINISH:	N/A
UNIT OF MEASURE:	N/A
APPROVALS:	DATE:
DRAWN:	H.B. 3/16/06
CHECKED:	H.B. 3/16/06
APPROVED:	

DBCI DOORS & BUILDING COMPONENTS
 DOUGLASVILLE, GA CHANDLER, AZ HOUSTON, TX
 ©2000 DBCI ALL RIGHTS RESERVED

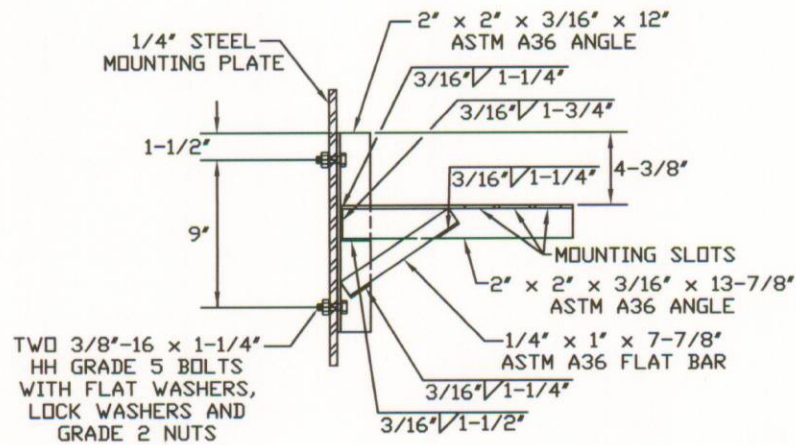
26 GA. WIND LOAD CERTIFIED, MAX. SIZE 16'-0" x 20'-0"
 SERIES 5100 DOOR ASSEMBLY

SIZE	D	DRAWING NUMBER	-300-960-0001.01	REV.	3
SCALE:	NONE	SHEET	1	OF	2

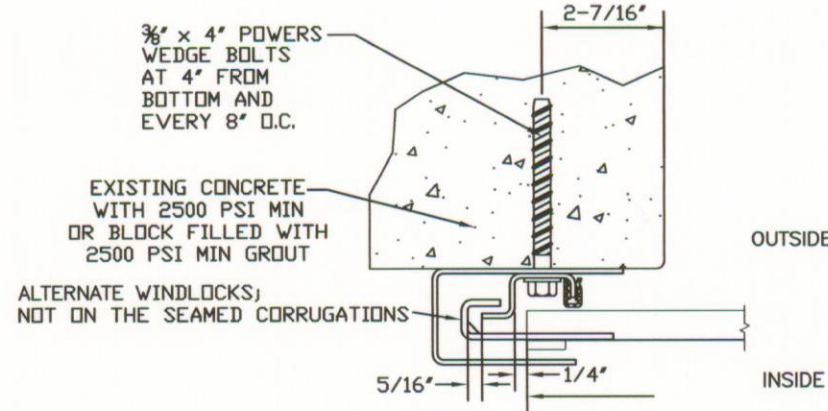
REVISIONS			
REV	DESCRIPTION	DATE	APPROVAL
-	RELEASE PER DRN		
1	CERTIFICATION UPDATE	3/25/06	H.B.
2	CERTIFICATION REVISION	3/30/06	H.B.
3	CERTIFICATION REVISION	4/3/06	H.B.



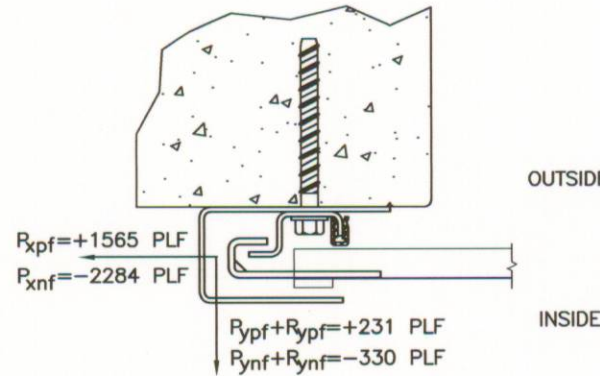
DOOR MOUNTING BRACKET TO MASONRY DETAIL



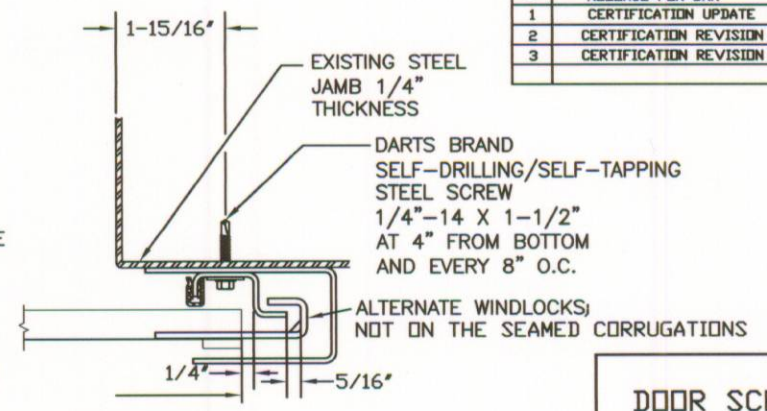
DOOR MOUNTING BRACKET TO STEEL DETAIL



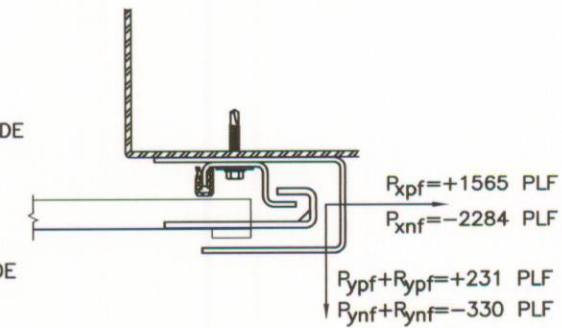
FOR MASONRY JAMBS:
CURTAIN WIDTH=OPENING WIDTH+6"
CONCRETE/FILLED BLOCK JAMBS
LH GUIDE MOUNT SHOWN



CONCRETE/FILLED BLOCK JAMBS
LH GUIDE MOUNT SHOWN



FOR STEEL JAMBS:
CURTAIN WIDTH=OPENING WIDTH+5"
STEEL JAMBS
RH GUIDE MOUNT SHOWN



STEEL JAMBS
RH GUIDE MOUNT SHOWN

DOOR SCHEDULE	
DOOR WIDTH	DESIGN PRESSURE (PSF)
≤ 10'-0"	+ 60.4
	- 83.9
11'-0"	+ 51.4
	- 71.9
12'-0"	+ 44.4
	- 62.5
13'-0"	+ 39.0
	- 55.2
14'-0"	+ 34.6
	- 49.2
15'-0"	+ 31.0
	- 42.2
16'-0"	+ 28.0
	- 40.0

GENERAL NOTES:

1. THE DBCI 5100 SERIES ROLL-UP DOOR ASSEMBLY IS DESIGNED IN ACCORDANCE WITH ASCE 7-02 AND FBC 2004.
2. THIS EVALUATION IS BASED ON CERTIFIED TESTING LABORATORIES TEST REPORT NUMBER CTLA-1510W.
3. THIS ROLL-UP DOOR WAS SUCCESSFULLY TESTED IN ACCORDANCE WITH ASTM E 330-02 TO SAFELY RESIST THE WIND LOADS DENOTED BELOW:
POSITIVE DESIGN LOAD = + 28 PSF
NEGATIVE DESIGN LOAD = - 40 PSF.
4. THE TEST DOOR OPENING SIZE WAS 16'-0" x 7'-0". FOR DIFFERENT OPENING SIZES, THE CORRESPONDING DOOR SIZES ARE CALCULATED TO SAFELY RESIST THE DESIGN LOADS DENOTED IN THE DOOR SCHEDULE.

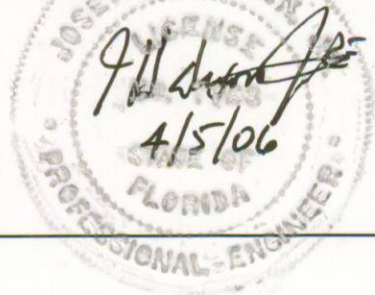
5. THIS PRODUCT EVALUATION IS GENERIC. IT DOES NOT INCLUDE INFORMATION PREPARED FOR A SPECIFIC SITE.
6. IT IS THE CONTRACTOR'S RESPONSIBILITY TO VERIFY THE STRUCTURAL CAPACITY OF THE SUBSTRATE (JAMB) TO RESIST THE LOADS IMPOSED BY THE ROLL-UP DOOR.
7. ALL DOOR JAMBS (MASONRY OR STEEL) MUST BE DESIGNED PER FBC 2004.
8. THE DOOR ASSEMBLY SHALL BE ANCHORED IN ACCORDANCE WITH THE PUBLISHED MANUFACTURER'S RECOMMENDATIONS TO ACHIEVE THE DESIGN PRESSURE SPECIFIED.

SUPERIMPOSED LOAD DIAGRAM

CERTIFIED TESTING LABORATORIES

7252 Narcoossee Road, Orlando, Florida 32822
Phone: (407) 384-7744 Fax: (407) 384-7751

JOSEPH H. DIXON, JR.
PROFESSIONAL ENGINEER
FLORIDA LICENSE NO. 7768



THESE CONFIDENTIAL DOCUMENTS SUBMITTED BY DBCI CONTAIN INFORMATION OF A PROPRIETARY NATURE AND MAY NOT BE REPRODUCED OR USED TO MANUFACTURE ANYTHING IN PART OR IN WHOLE FOR ANY PURPOSE OTHER THAN THAT WHICH IS NECESSARY FOR PREPARATION OF BIDS OR ENGINEERING WITHOUT THE EXPRESS PERMISSION OF DBCI WHICH MAY RECALL DOCUMENTS AT ANY TIME.

UNLESS OTHERWISE SPECIFIED DIMENSIONS ARE IN INCHES

TOLERANCES ARE:		DECIMAL	FRACTIONS	ANGLES	HOLE DIAMETERS
.XX	±.03		± 1/16	± 0'30"	UNDER .251 +.004 -.003
.XXX	±.005				.251 to .500 +.006 -.003
					OVER .500 +.008 -.003

PART NUMBER:	N/A
MATERIAL:	N/A
APPLIED FINISH:	N/A
UNIT OF MEASURE:	N/A
APPROVALS:	DATE:
DRAWN:	H.B. 3/16/06
CHECKED:	H.B. 3/16/06
APPROVED:	



DOORS & BUILDING COMPONENTS
DOUGLASVILLE, GA CHANDLER, AZ HOUSTON, TX
©2000 DBCI ALL RIGHTS RESERVED

26 GA. WIND LOAD CERTIFIED, MAX. SIZE 16'-0" x 20'-0"

SERIES 5100 DOOR ASSEMBLY

SIZE	DRAWING NUMBER	REV.
D	-300-960-0001.02	3
SCALE:	NONE	SHEET 2 OF 2