

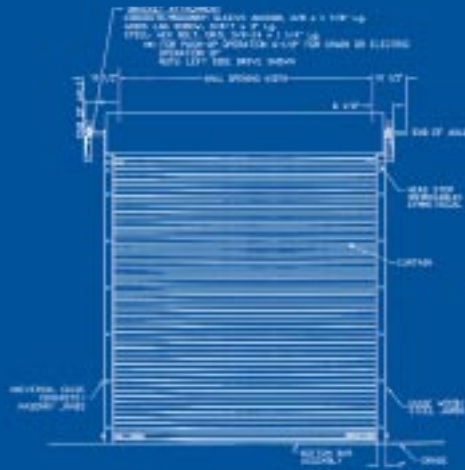


# COMMERCIAL DOOR SERIES 5100

*Wind Certified Door*

Opening sized thru 16' x 16'

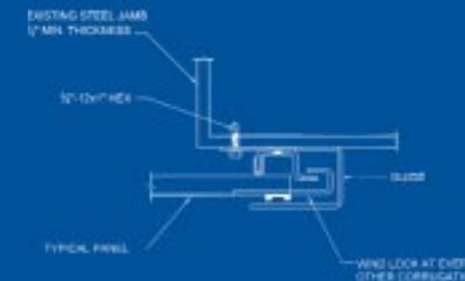
## INTERIOR ELEVATION



## GUIDE MOUNTING



Masonry Mount



Steel Mount

## General Description

- Designed to meet stringent building codes in Coastal Regions and Florida
- Utilizes 12" drums
- Limited maximum size of 16' x 20'
- Deep engagement guides and windlocks for stronger/better performances

## Approximate\*: MPH Certification

- 10' wide = (150mph)
- 12' wide = (150mph)
- 14' wide = (146mph)
- 16' wide = (140mph)

\*For actual test results contact DBCi Commercial Sales at 800.542.0501

## Curtain

- 26-gauge galvanized
- Grade E hard steel
- Deep ribbed corrugation
- 20 standard colors – special colors upon request with upcharge
- Siliconized polyester paint over prime coat
- Wash coat over primer interior side
- 25-year film integrity warranty – up to 25-year chalk and fade
- Improved flexible wear strips



## Bottom Bar

- 6063-T6 aluminum extrusion
- 2" x 1 1/2" galvanized angles with stiffeners
- Bulb astragal (durometer 75)
- Stainless steel nuts and bolts



## Axle/Torque Tube

- 1 5/16" O.D. steel axle, 14-gauge (11-gauge on doors 13'6" and larger)
- Oil tempered torsion springs
- 16-gauge drums 12" diameter galvanized
- Shielded steel ball bearings staked in drums
- Full top sheet 26-gauge galvanized



The Power of INNOVATION.

The Strength of PARTNERSHIP.



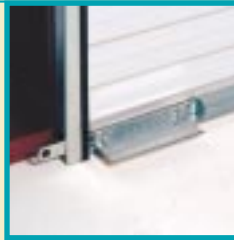
## Guides

- 12-gauge galvanized steel guide with 12-gauge windlock bar spot welded to guide
- Polyethylene wear strip
- Bolt on head stop 1/4" plate steel
- 3" deep engagement
- Pre punched for lock and attachment screws



## Hardware

- 13-gauge saddle clamps
- 10-gauge slide locks 2 per door
- 16-gauge step plate 2 per door
- 1/4" steel angle T-bracket



## Options

- Chain hoist 4:1 reduction
- Chain hoist 8:1 reduction
- Vision panels (17" x 5")
- Top draft stop
- Hood top header seal
- Steel mounting plates
- Electric operator



## DBCi Commercial Steel Curtain Roll-Up Door Solutions Include:

### 2000 (2250 Insulated)

- 14-gauge door guides
- 16-gauge galvanized steel drums w/steel ball bearings
- 26-gauge grade E steel curtain

### 2500 (2750 Insulated)

- Heavy duty 12-gauge, three-inch deep guides
- 10-gauge steel slide bolt lock
- Width up to 18 feet

### 3000 (3250 Insulated)

- Four-inch deep guides with windlock insert
- Aluminum steel angle bottom bar

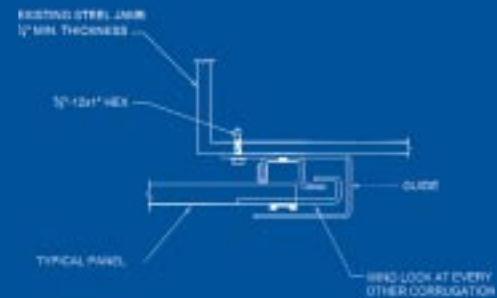
### 4000 Series

- 24-gauge curtain

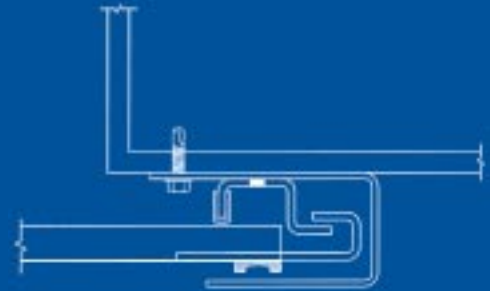
### 5100 Series

- Wind certified up to 16' wide

## GUIDE DETAIL



## DOOR ENGAGEMENT



## OPENING HEIGHT HEADROOM

8' 0" Thru 10' 0"	19"
Over 10' 0" Thru 14' 0"	20"
Over 14' 0" Thru 16' 0"	21"
Over 16' 0" Thru 18' 0"	22"

## APPLICATIONS

Windload Codes  
Coastal Areas  
Freight Terminals  
Warehouses  
Light Industrial

\*CONTACT A DBCi SALES REPRESENTATIVE FOR A DETAILED DRAWING.